

CUSTOMER NAME:

CUSTOMER REF NO:

PROJECT NAME:

PART NO:

DESCRIPTION:

SCALE: **SIZE:** A3

DRAWING NO.:

SHEET: 1

REV: 1

Drawn By: NR **Date:**

Checked By: AP **Date:**

Approved By: **Date:**

Dig Add

CONFIDENTIAL - The drawings must not be disclosed to any third parties without written permission from Protec FRP. Unauthorised disclosure may result in prosecution. © Protec FRP - This drawing is the property of Protec FRP ACN: 609512905 and is subject to return on demand. It is submitted for the use only in connection with the proposal and contracts of Protec FRP with the expressed conditions that it is not to be reproduced or copied in any form. This data must only be used in accordance with our standard terms and conditions. © Copyright Protec FRP accepts no responsibility for any loss or damage resulting from any person acting on this information. The details and dimensions contained in this document may change, please check with Protec FRP for confirmation of current specifications.

APPROVED FOR CONSTRUCTION
This drawing replaces all previous revisions

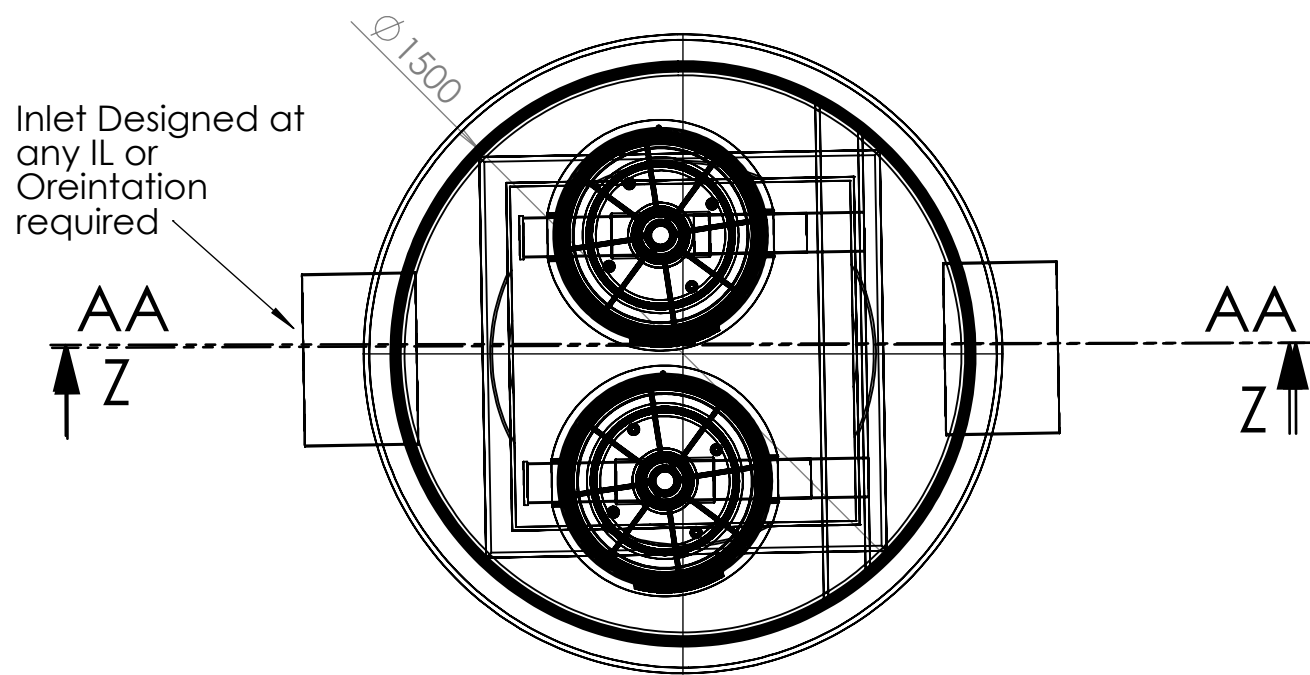
Name: _____

Client: _____

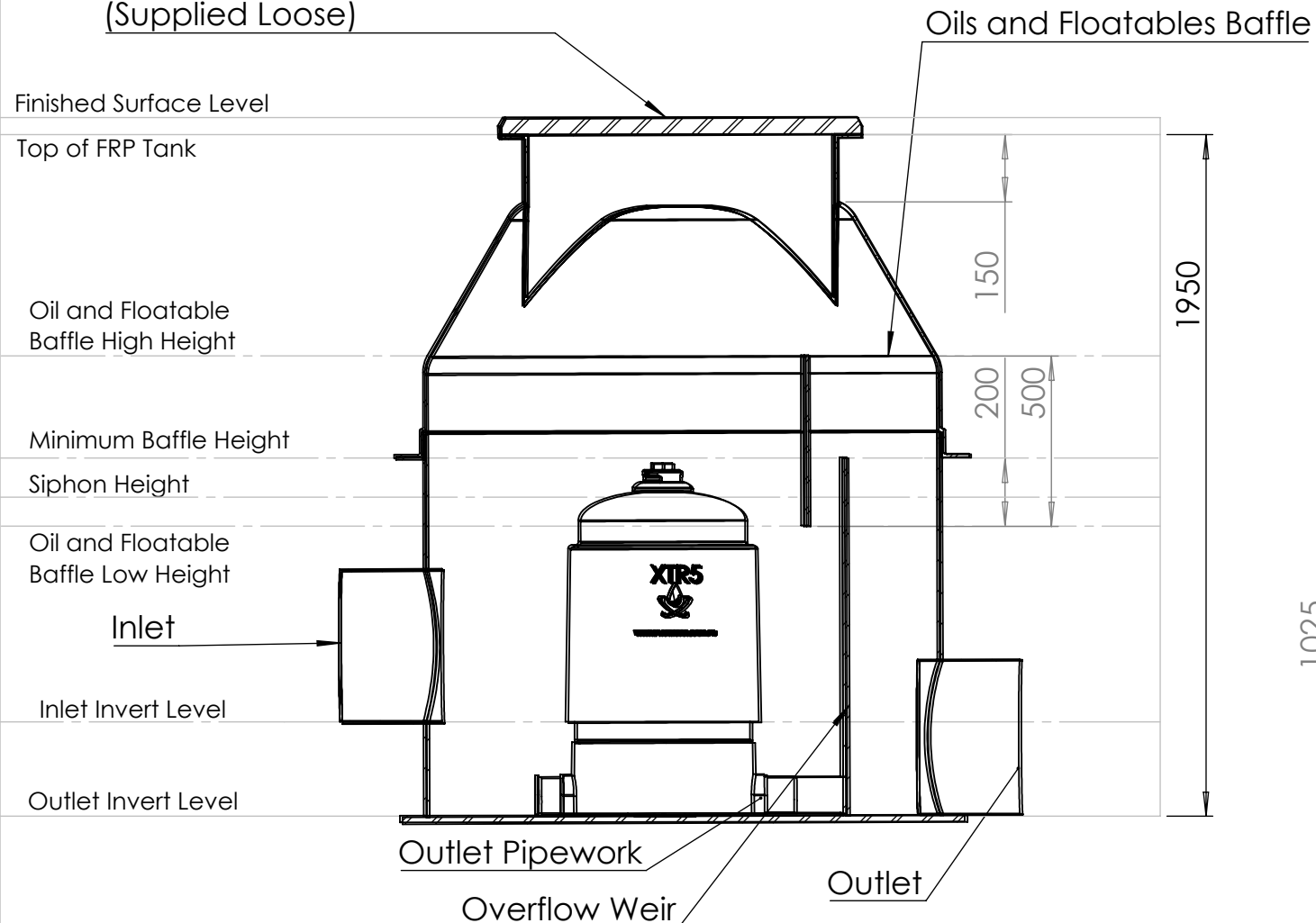
Position: _____

Signed: _____

Date: _____



900 SQ Access Manway with Cast Iron Class B Cover (Supplied Loose)



SECTION AA-AA

STORMWATER Quality Improvement Device Design Notes

- The Design Varies as per the number of filters per Water Quality Chamber. This drawing and details only apply to that of the current drawing
- Approvals Must Be Given by client or customer before order can be recieved
- All filters will come delivered as standard
- Installation Must follow PROTECTOR Protocols of Vertical Tank installation - all equipment supplied by contractor

Cartridge Type	Height of Siphon Point	Flow Rate Per Filter	Cartridge Dimensions	Filter Weight	Weir Height
XTR5	935mm	8L/s	570*1025	65kg	1050
XTRMINI	500	4L/s	570*600	40kg	600



General Notes

- Inlet Height IL must be minimum 200mm Above Outlet IL
- All Pipework to be Built in will be 100NB PVC Pipework, Installed by PROTECTOR Licensed Contractor
- Maintenance schedule and MUSIC modelling available at customer request
- Oils and Floatable Baffle System comes as standard, changes must be approved
- For all PROTECTOR Nodes please visit: www.protector.com.au/music-treatment-nodes

Installation Instructions

It is Recommended that a PROTECTOR employee or direct contractor installs the XTREAMFILTERS. If not possible or not desired, a breif installation process is outlined below. **NOTE: ANY DAMAGES OCCURING DURING INSTALLATION OR MAINTENANCE BY A NON LICENCED PROTECTOR WORKER IS AT FAULT OF CLIENT OR CUSTOMER**

Installation Must follow PROTECTOR'S Vertical Tank installation process with all SUB-BASE, Backfill materials, anti flotation ballasts or anchoring are site specified and provided by contractor

